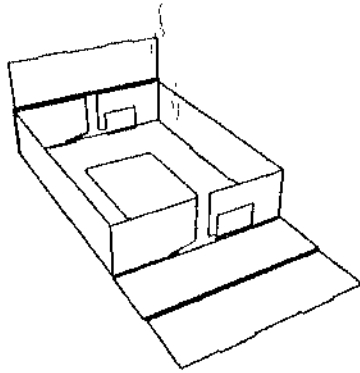


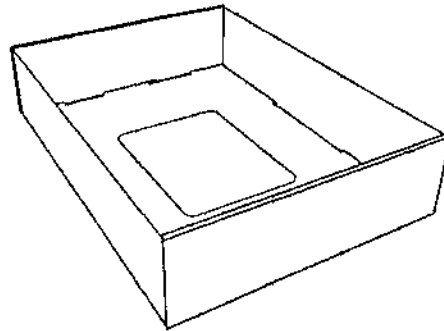
DISPLAY ASSEMBLY INSTRUCTIONS

STEP #1



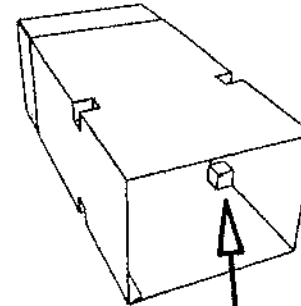
Fold Tray Flaps and Length Sides 90 Degrees as shown above.

STEP #2



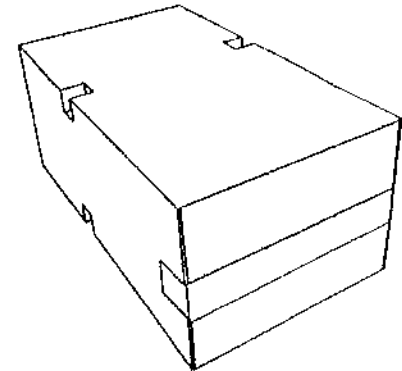
Roll over Width Sides 90 degrees as shown above.

STEP #3



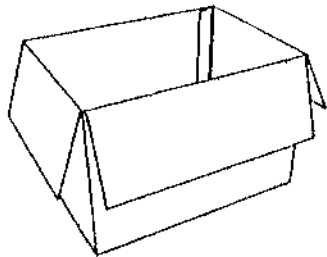
Square up Base, Make sure to push in 90 degrees the Four Corners as shown above.

STEP #4



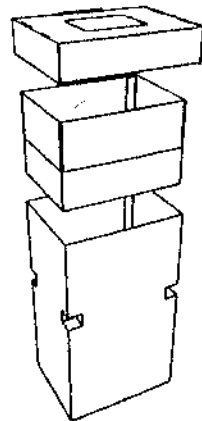
Close the bottom of the base with tape as shown above.

STEP #5



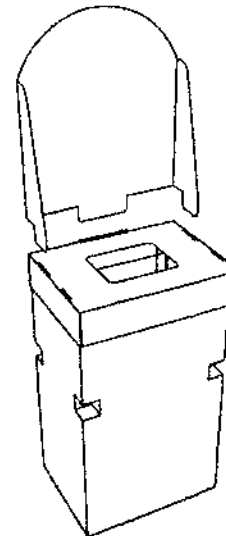
Square up R.S.C. Carton, Tape the bottom like the Base. Fold Top Flaps back as shown above.

STEP #6



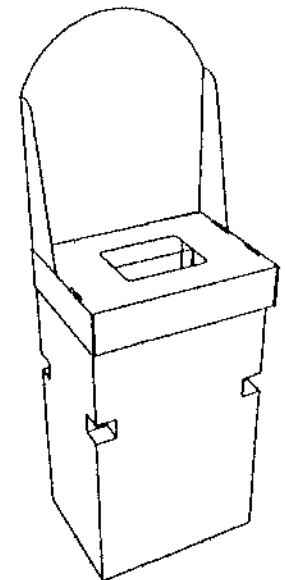
Turn Base rightside up, Place the R.S.C. Carton into the Base. Place Tray over the Base as shown above.

STEP #7



Insert Header into Tray as shown above.

STEP #8



Finished Display